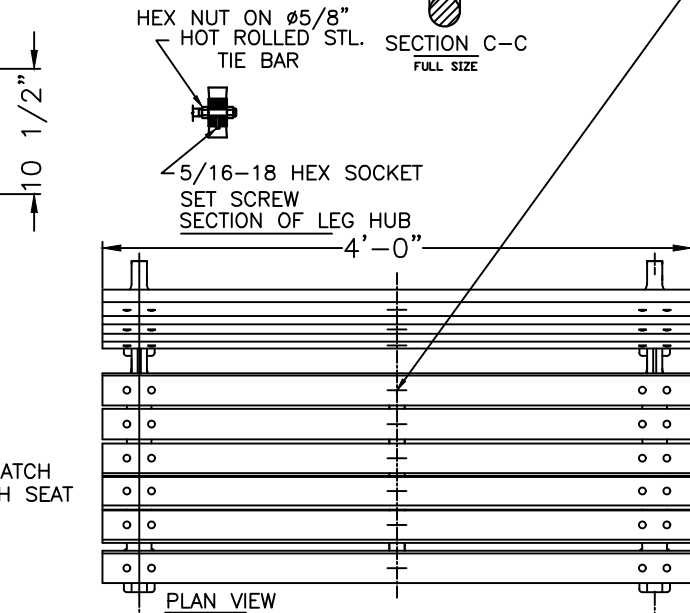
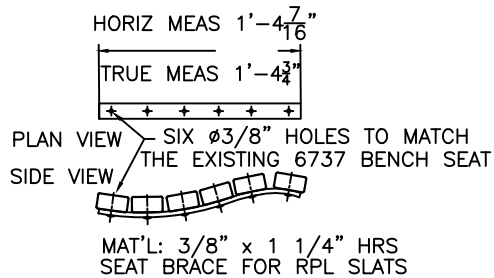
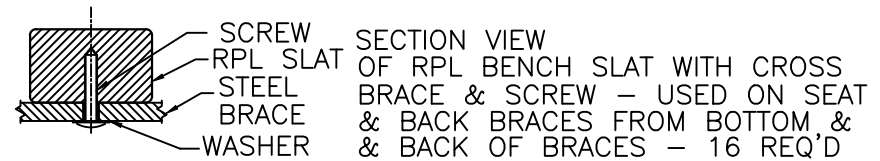


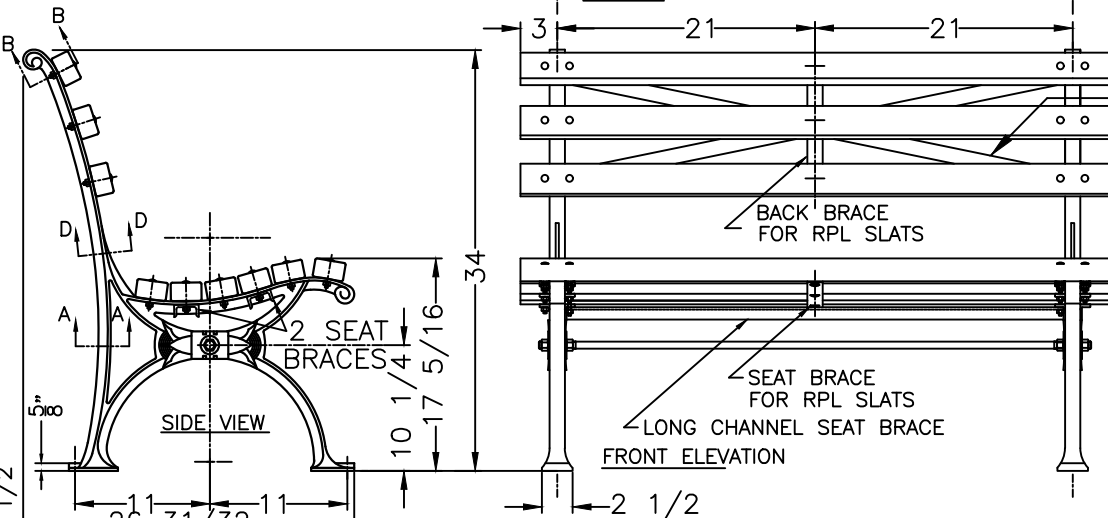
MAT'L: 3/16" x 1 1/4" HRS  
BACK BRACE FOR RPL SLATS



RPL IS HELD TO THE BRACES BY TAPERED SCREWS WHICH ARE DRIVEN INTO THE RPL FROM THE BACK AND BOTTOM AND ARE NOT VISIBLE FROM ABOVE. McMASTER #95638A317 PIN-IN-TORX TAMPER RESIST SHEET METAL SCREW 18-8 STAINLESS STEEL, BUTTON HEAD, NO 14 SIZE, 1-1/2" LENGTH NOT VISIBLE FROM FRONT OF BENCH.



- MATERIALS:
- X-BRACING: 3/16" x 1 1/4" HOT ROLLED STEEL
  - BENCH LEGS: CAST DUCTILE IRON
  - BENCH SLATS: RPL (RECYCLED PLASTIC LUMBER)
  - SMALL FASTENERS (CARRIAGE BOLTS, NUTS AND WASHERS) STAINLESS STEEL
  - TIE ROD: 5/8" DIA HOT ROLLED STEEL WITH 5/8 - 11 CUT THREADS & STEEL HEX NUTS
  - BRACES FOR RPL: 3/16" x 1" x 2" STL. CHANNEL 3/16" x 1 1/4" HRS & 3/8" x 1 1/4" HRS



X BRACING IN BACK

BACK BRACE FOR RPL SLATS

SEAT BRACE FOR RPL SLATS  
LONG CHANNEL SEAT BRACE

WHEN USED, ANCHOR BOLTS ARE TO BE INSTALLED IN EACH FOOT OF EACH LEG.

NOTE: THIS DRAWING VARIES FROM STANDARD IN THAT THE DISTANCE FROM THE EDGE OF THE SLATS TO THE CENTER OF THE LEG IS 3 INCHES.

COLOR:  
RPL \_\_\_\_\_  
CI & STEEL: BLACK

**KENNETH LYNCH & SONS**  
114 WILLENBROCK ROAD OXFORD, CT 06478  
PHONE 203-264-2831 FAX 203-264-2833

6737C WORLDS FAIR BENCH		
Scale FAX	Date 1/25/12	Drawn S.L.A.
RECYCLED PLASTIC SLATS		4' LONG
ARMLESS	CONTRACT #	
#6737C-4-RPL-FX-2012 NYC		